

QUASAR : MAIZE HEADER INNOVATIVE BY NATURE



capello



QUASAR

RELIABILITY FROM HECTARE TO HECTARE

Quasar maize headers are the result of a design that has been painstakingly developed, revised and fine-tuned year after year. They have hectare upon hectare of excellent, quick and problem-free work under their belt.

This has earned them the appreciation of even the most demanding contractors, making them the most productive machines in fields around the globe.



RIGID OR FLIP-UP? THE CHOICE IS YOURS!

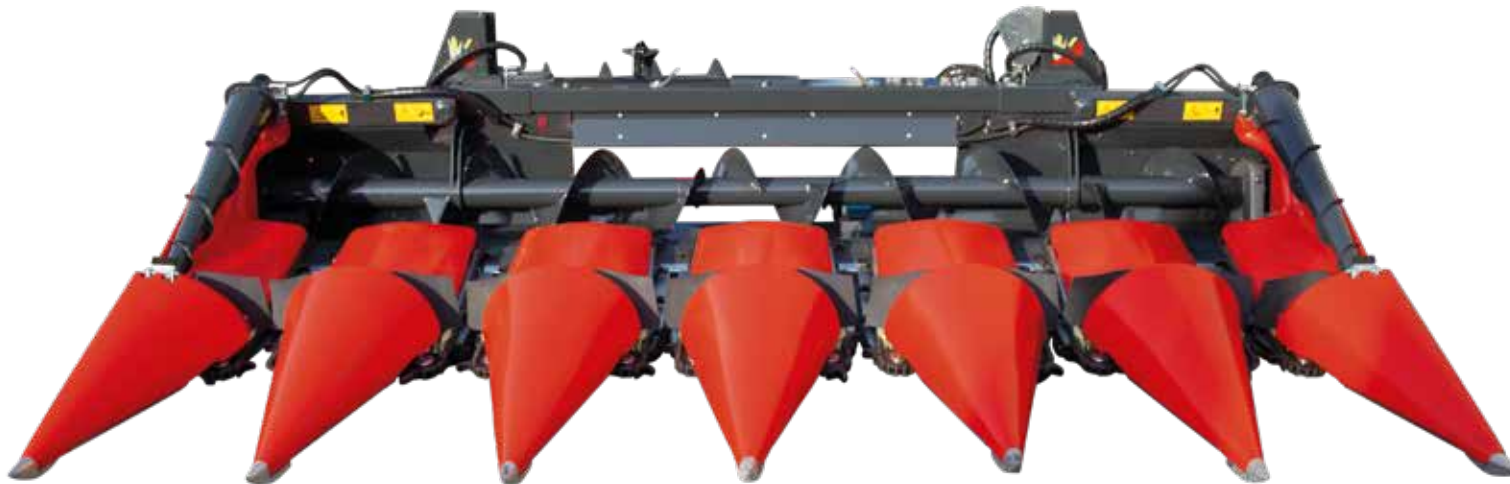
Quasar comes in a rigid version (from 4 to 18 rows) and flip-up version (from 5 to 16 rows). Both versions offer the highest level of performance, even on the road: unbeatable compact design, excellent driving stability and great visibility.



AN INNOVATIVE HOOD DESIGN BASED ON IMPRESSIVE EXPERIENCE

Strong yet light, impervious to the wear and tear of time and rust proof: the technopolymer used for the hoods and points has rightly earned a solid reputation for superiority in any situation. The technopolymer hood encourages leaves and stalks to slip off even in the worst weather conditions and minimizes crop loss as it absorbs knocks from the ears, softening the impact even at very high forward speeds.

Quasar comes into its own even under extreme conditions, for example when the crop is laid very flat and calls for a low profile, or when maize is already dry, at which point gentleness and flexibility become essential requirements.



CONSTANT AND EVEN FEEDING

Points and hoods are fully adjustable and can be flipped up completely.

Points can be adjusted continuously by adjusting a simple lever locked by a screw.



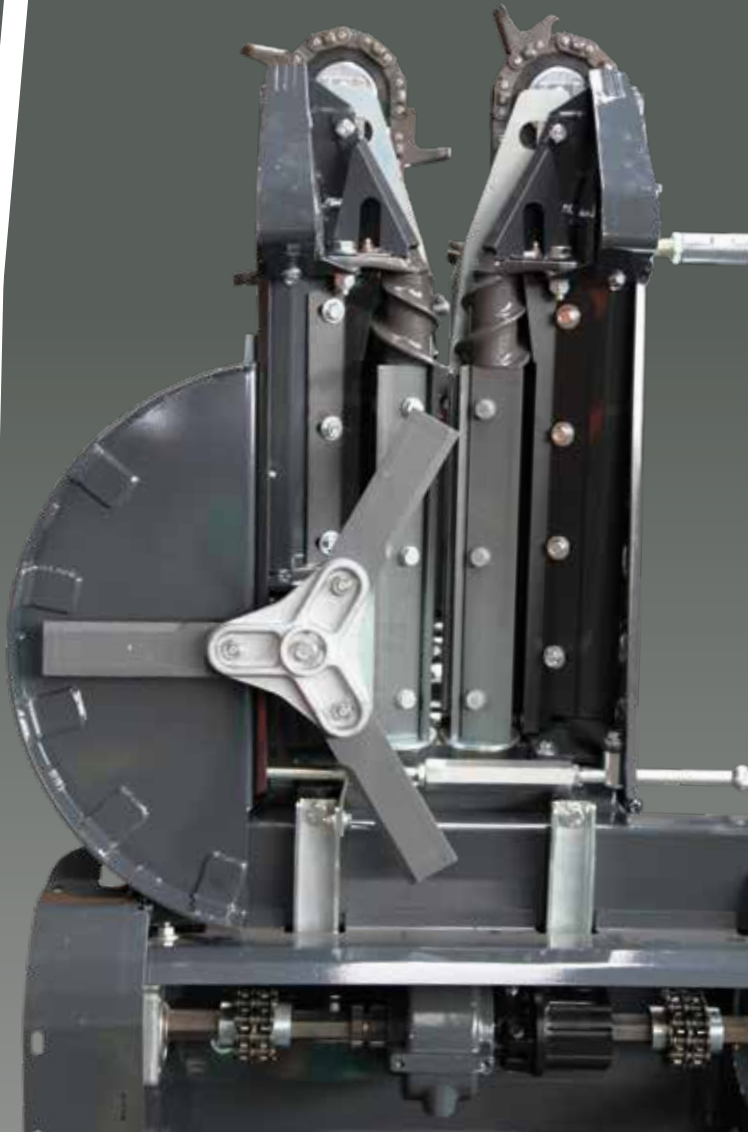
The drive employs a gearbox with built-in continuously lubricated torque limiter. Handy, reliable and lightweight due to its treated aluminium construction.



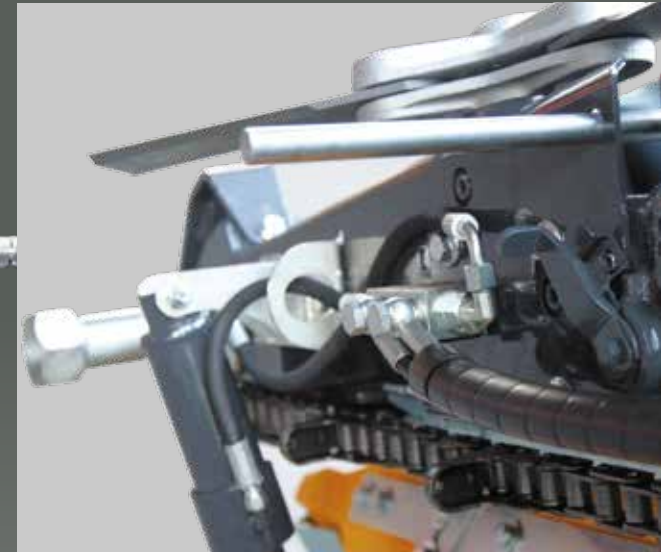
The side auger (optional) is a device designed for harvesting laid maize.

THE FIRST HEADER WITH STALK CHOPPER ROTOR

The highly tested and copied Capello horizontal system, positioned beside the rotation axle of the rollers, has always been a particular detail of Capello heads. In fact, where requested, the stalk chopper is already integrated during the order phase and built into the cast gearbox. This guarantees unbeatable working quality with minimum power absorption. The stalk chopper can be engaged or disengaged as needed simply at the turn of a lever.



The snapping roller profile and row unit are the beating heart of this tireless machine.



The stalk crushers (optional) protect tyres from stubble damage.

FUNCTION AND FLEXIBILITY FOR EVERY NEED

Suitable for any combine harvester and available with any row spacing – from 45 to over 100 cm- Quasar really does cater to every need. And if you decide to change combine, no problem: simply replace the rear flange coupling.



The drive system components, which are oversized and include a continuously lubricated gearbox, always work at their peak without faltering; reliability is the feature that has allowed Quasar to set the benchmark for maize headers.

SUNFLOWER HARVESTING KIT

The first of its kind, Quasar converts to a sunflower attachment in just a few simple steps: efficient and affordable, the special additional kit (optional) actually takes just a few minutes to fit.

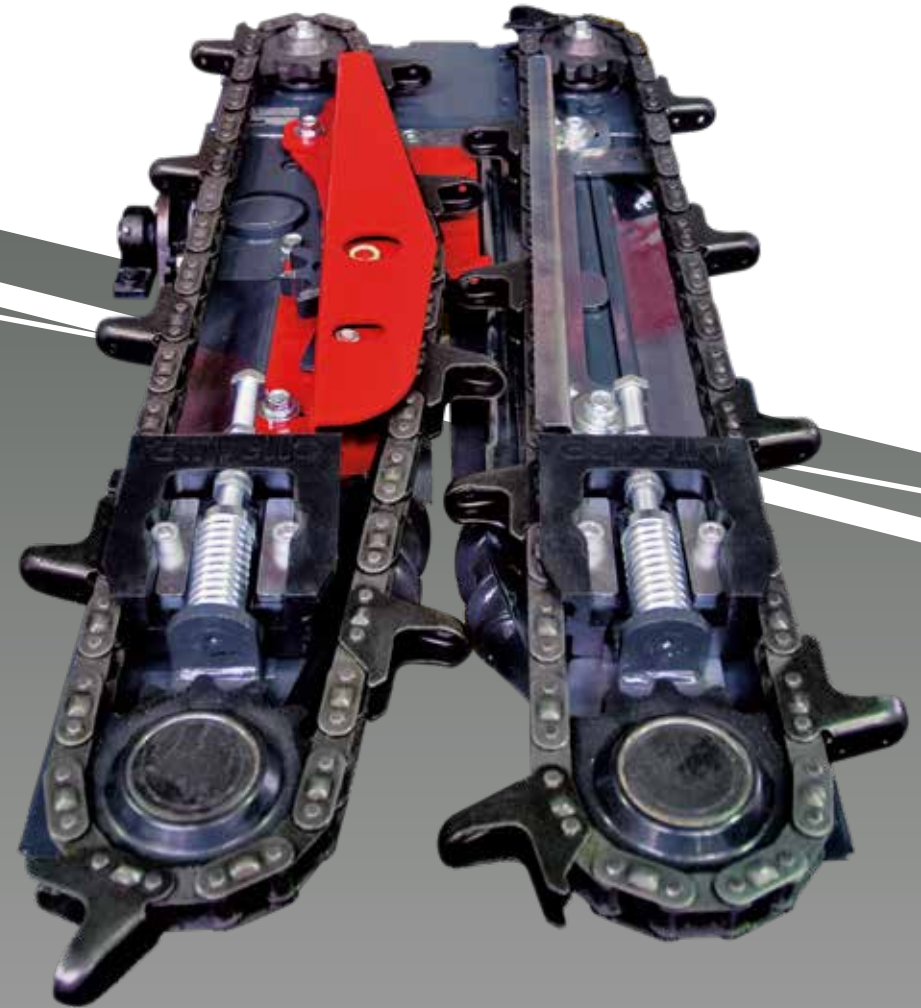


SPECIFICATIONS



MACHINE	TYPE	N° ROWS	WIDTH [m]		WEIGHT [kg]	ROW SPACING [cm]
			MIN	MAX		
F4	RIGID	4	3,18	3,26	1210	45 - 100
F5	RIGID	5	3,70	4,00	1490	45 - 100
F6	RIGID	6	4,55	4,90	1750	45 - 100
F8	RIGID	8	6,15	6,50	2230	45 - 100
F12	RIGID	12	8,40	9,60	3650	45 - 100
F16	RIGID	16	-	-	-	45 - 100
F18	RIGID	18	-	-	-	45 - 100
R5	FLIP-UP	5	2,50	3,90	1620	45 - 100
R6	FLIP-UP	6	3,00	4,90	2050	45 - 100
R8	FLIP-UP	8	3,20	6,50	2480	45 - 100
R9	FLIP-UP	9	3,60	7,20	2820	45 - 100
HS10	FLIP-UP	10	4,20	7,80	3130	45 - 100
HS12	FLIP-UP	12	5,00	9,40	4500	45 - 100
HS16	FLIP-UP	16	-	-	-	45 - 100

Specifications are not binding and are subject to change without notice.





WHEREVER YOU ARE, WE ARE.



ISO 9001
BUREAU VERITAS
Certification
Certificate No IT258975



CAPELLO SRL • Via Valle Po, 100 • 12100 CUNEO ITALY

Tel. +39 0171 413997 • E-mail: info@capello.it

www.capelloworld.com

